

# Wall & Roof Cladding Systems

## General Information

The information provided in this brochure is for non-cyclonic areas. Contact HH Robertson for specific information on the application of roof and wall systems in cyclonic areas.

### Sheet Lengths

Robertson individually manufactures sheet lengths to suit each project.

**Minimum length:** Standard shortest length available is 2.0m. Shorter lengths can be supplied on request. Maximum length 10.5m.

### Roof Pitch

Minimum recommended roof pitch is 4° (1 in 15). Maximum slope length may vary for each profile and regional rainfall intensity, depending on roof pitch.

### End Laps

**Roofs:** Recommended minimum end lap is 230mm for all profiles.

**Walls:** Recommended minimum end lap is 100mm.

### Sealants

The use of sealants is recommended for all side and end laps on roof pitches below 7°. End laps only to be sealed for roof pitches from 7° to 15°. End lap sealants should be gun applied as a double bead at extreme ends of sheeting. Side lap sealants also to be gun applied.

## Curving

Hurricane Rib™ can be spring-curved, depending on the material selected. Maximum radius for curved sheet is 4500mm. Contact HH Robertson for details.

## Translucent Sheets

Translucent sheets are available to match all full profiles. Materials are available in various finishes, colours and thicknesses depending on quantity and particular project applications. Contact HH Robertson for specific advice.



# Wall & Roof Cladding Systems

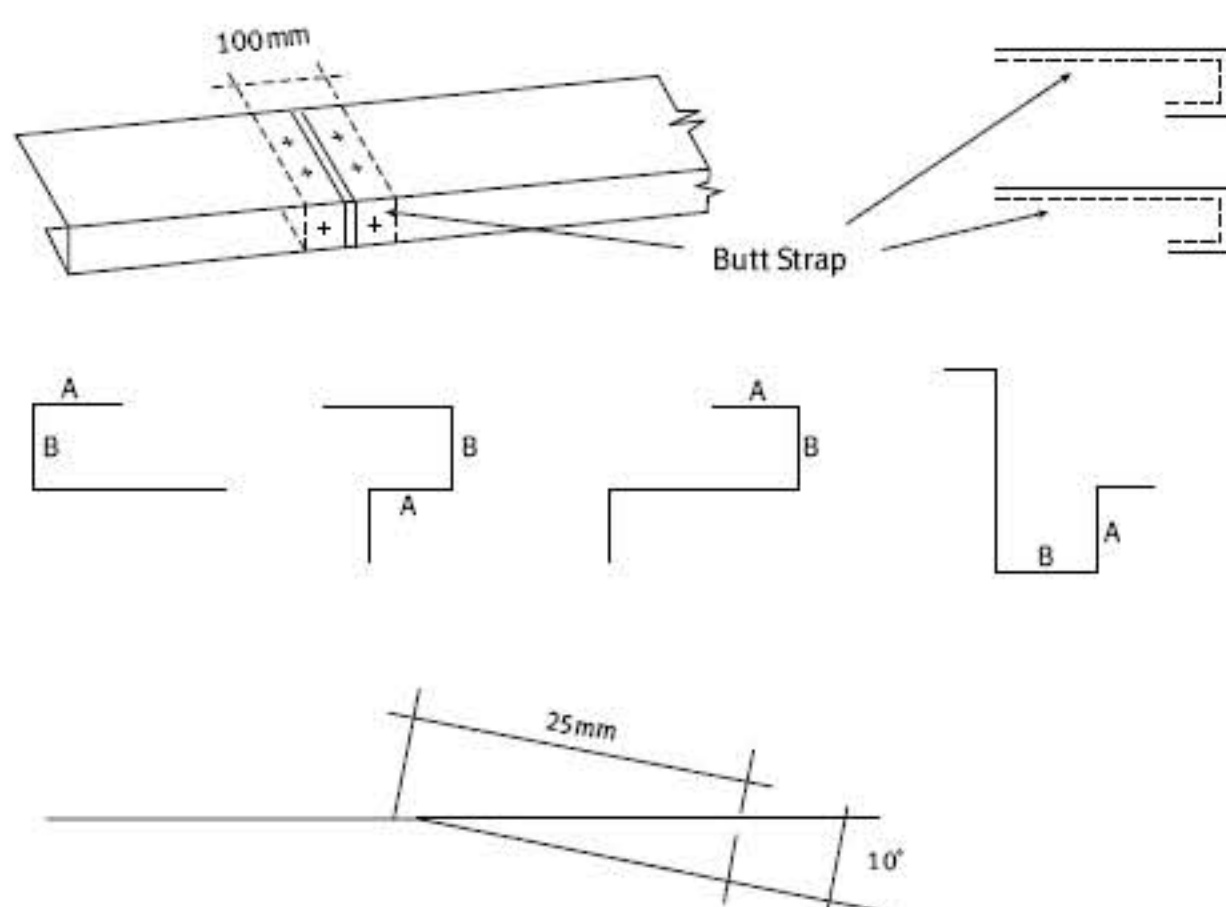
## FLASHING – STANDARD PRACTICE

### Manufacturing Considerations

- Maximum total girth for Robertson coated products is 1200mm. Refer to HH Robertson for information on other girths.
- Box formation: Dimension A must always be equal to or less than B.
- The minimum length of any leg of flashing is 15mm.
- Edge break: An edge break of 10° is provided on every run-out leg of every flashing. This is necessary to ensure the flashing hugs the sheeting (to avoid wavy edges).

### Lap Joints

Flashing such as ridge cap, gutter flash and all simple flashing should be lapped 100mm and sealed with silicone. The two flashing sections are fastened together with blind rivets.



### FIXING TO STEEL

#### Main Fasteners (cladding to structure)

Type: Hexagon head type AB thread forming screw with metal and EPDM washers, to match selected material. Alternative types and materials are available.

#### Fastener Lengths (main fasteners)

Size No 14	Roof	Wall
BR5	65mm	22mm
Hurricane Rib	65mm	22mm
Magna Rib	22mm	22mm

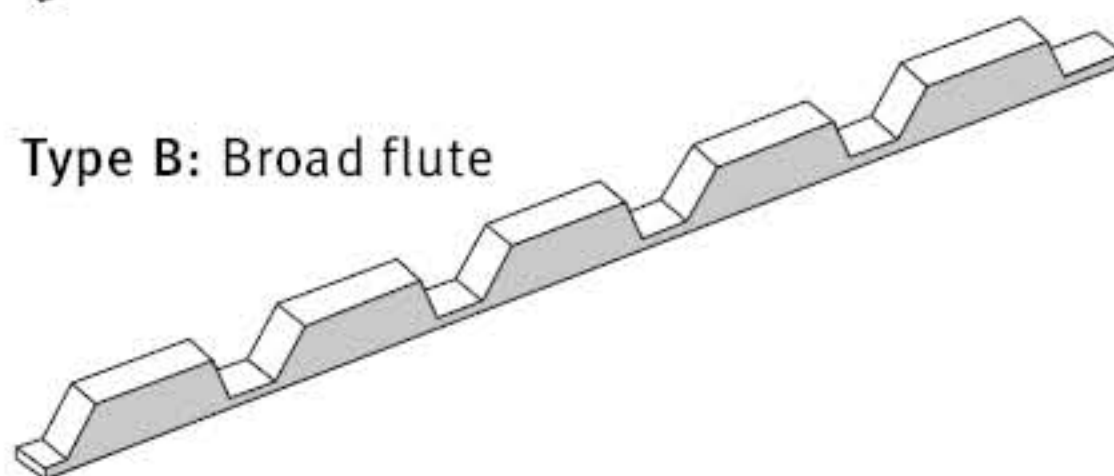
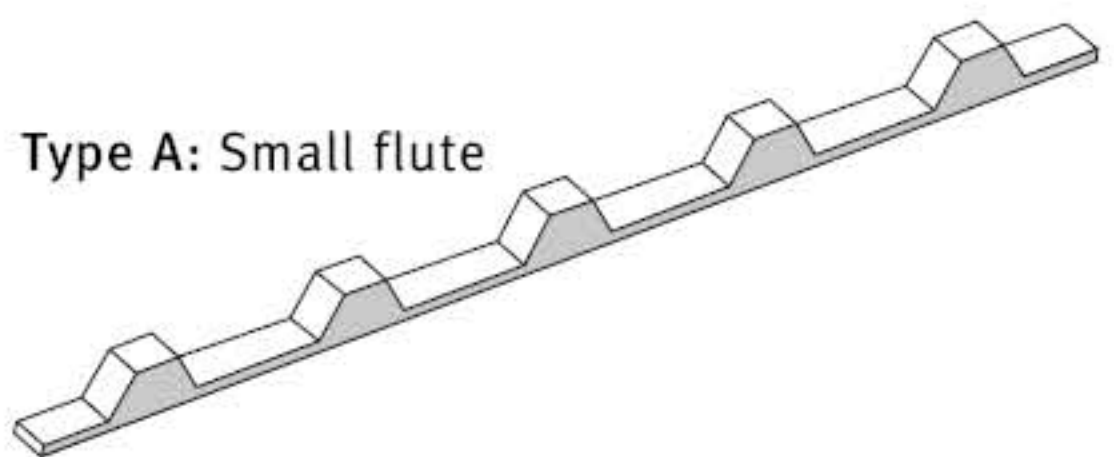
Fastener length may need to be increased to accommodate bulk insulation. Refer to HH Robertson for advice.

#### Secondary Fasteners (sidelaps & flashing)

For all profiles – Size No 12 x 20mm long

#### Profiled Foam Closers

Closed cell foam closers are available for all profiles except Magna Rib®.



# Wall & Roof Cladding Systems

## Typical Flashing Details

